



Alfa Laval ThinkTop® D30 Digital

Leave Surveillance to the Top

Concept

The ThinkTop D30 is a basic valve control unit that consists of a proven no-touch sensor system with 360-degree LED visual indication, an integrated solenoid valve for spring-loaded actuator, and valve control sensor board for connection to any PLC (Programming Logic Controller) system with digital interface.

ThinkTop D30 offers a simplify solution for Alfa Laval butterfly and single-seat valves and is designed for use in the dairy, food and beverage, and biopharm industries; ThinkTop D30 is a supplement, alternative solution to optimize applications instead of using external solenoid valves and the existing range of control units.

Working principle

ThinkTop D30 fits onto nearly all Alfa Laval hygienic actuators equipped with mushrooms. Installation is straightforward; no special expertise, adapters or tools are required. ThinkTop D30 is an easy-to-use plug 'n play control unit with one 3/2-way solenoid valve and with integrated intelligence to monitor the status of the operating air pressure, identifying air loss or leakage. By getting the electrical PLC and sensor signals the integrated solenoid valve enables control of the processing valve by open or closing the air-operated valve.



TECHNICAL DATA

Communication

Interface Digital PNP

Sensor board

Max current consumption 45mA
 Feedback signal #1 De-energized valve
 Feedback signal #2 Energized valve
 Feedback signal #3 Alarm

Solenoid valve

Max current consumption 45mA
 Air supply 400 - 700 kPa (4 - 7 bar)
 Type of solenoid 3/2-ways
 Number of solenoids 1
 Manual hold override Yes
 Push-in fittings ø6 mm

PHYSICAL DATA

Materials

Steel parts Stainless Steel and Brass
 Plastic parts Black Nylon PA 6
 Seals Nitrile (NBR) rubber

Environment

Working temperature -10 °C to +50 °C
 Protection class IP66 and IP67

Cable connection

Max wire size 0.5 mm² (AWG 20)

Note

For further information: See also ESE02248



Options

- Pneumatic tubing interface

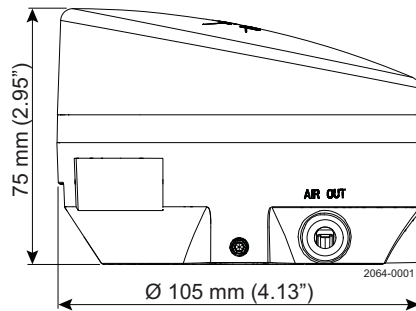
Accessories

- Various cable options
- Elbow pneumatic fittings for adapting various tubing
- Threaded plate for indication pin on SRC, SMP-BC and i-SSV valves
- Adaptor for Unique SSSV valves

Compatible valves

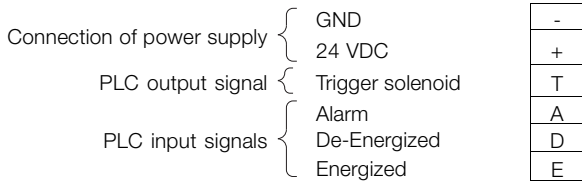
ARC	Yes	SBV	Yes
SRC	Yes	Koltek	Yes
Unique SSV	Yes	SMP valves	Yes
i-SSV	Yes	DV-ST	Yes
LKLA-T	Yes	Unique Mixproof	No
LKLA	No	Unique SSV Long stroke	No
Air/Air actuator	No	Unique SSV High pressure DN80 - DN100	No
		SRC Long stroke	No
		Unique SSV DN125 - DN150	No

Dimensions



Electrical connection

Digital Interface
Sensor board
Terminal strip



Alfa Laval reserves the right to change specifications without prior notification.

How to contact Alfa Laval

Contact details for all countries are continually updated on our website. Please visit www.alfalaval.com to access the information direct.