



Alfa Laval SB Mini Flow Valve

Single seat valves

Introduction

The Alfa Laval SB Mini Flow Valve is a reliable single seat valve with a single contact surface between the plug and the seat to minimize the risk of contamination. Designed for working in a gas or liquid environment, it is used to close or divert small product flows when hygienic shut off and changeover are required.

Application

The SB Mini Flow Valve is designed for diverting or closing small product flows in a broad range of applications across the brewery, food, dairy, beverage and many other industries. The valve can be used as an integral part of a SCANDI BREW® tank top system.

Benefits

- Versatile shut-off or changeover valve
- Handles small flows of liquid or gas with ease
- Compact and hygienic design
- Low maintenance
- Fast-acting

Standard design

The SB Mini Flow Valve comprises a valve body, inlet and outlet, with threaded pipe couplings for 6/8 mm pipe. Four versions are available: a pneumatic angle valve, a pneumatic two-way valve, a drain valve with fittings, or a drain valve with fittings and clip-on. The valve can also be used as an integral part of a SCANDI BREW® tank top system.

Working principle

The Alfa Laval SB Mini Flow Valve is operated either manually or by means of compressed air from a remote location. For a pneumatic valve, the actuator smooths operation and protects process lines from pressure peaks.



TECHNICAL DATA

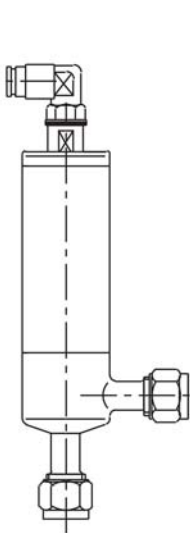
Pressure

Max. product pressure:	6 bar
Process air pressure:	6 - 8 bar

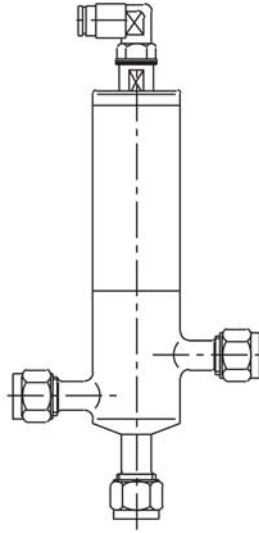
PHYSICAL DATA

Materials

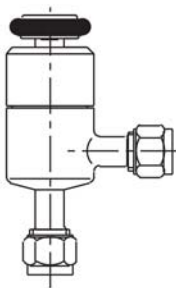
Product wetted steel surfaces:	EN 1.4404 (AISI 316L)
Product wetted seals:	EPDM
Product wetted polymers:	PTFE



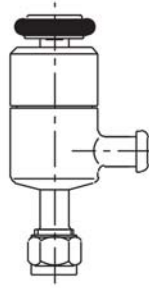
Pneumatic angle valve



Pneumatic 2-way valve

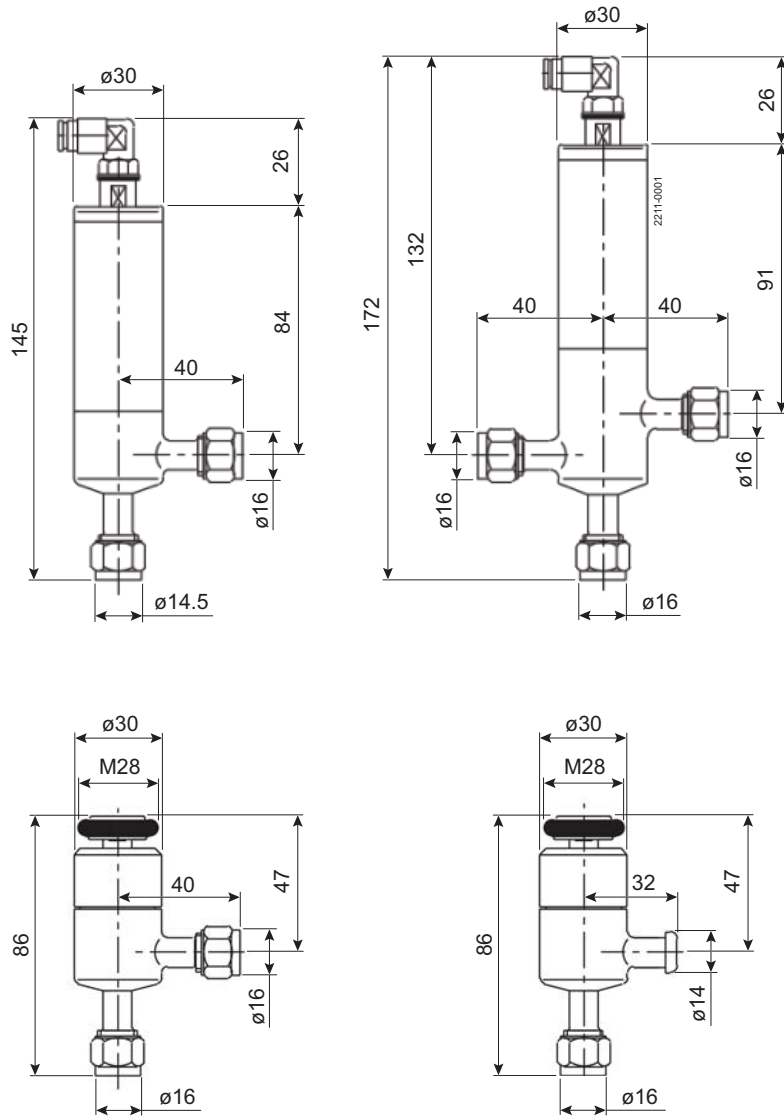


Drain valve with fittings



Drain valve with fittings/clip-on

Dimensions (mm)



Alfa Laval reserves the right to change specifications without prior notification.

How to contact Alfa Laval

Contact details for all countries
are continually updated on our website.
Please visit www.alfalaval.com to
access the information direct.